

PRODUCT FACT SHEET

UP LAMP TABLE LAMP FURNITURE / LIGHTING / ACCESSORIES

Mattias Ståhlbom on the design "Up lamp mixes light and shadow to create a cosy and warm atmosphere anywhere it is placed. Through the curvature of the lamp shade, Up elegantly interacts with the surrounding walls and ceiling. Inspired by the outline of industrial rooftops, Up directs a warm LED light upwards, while the 360 degrees rotating lamp shade and a smooth flicker - free dim function allow you to control both the light and mood in your room."

PROCESS Deep draw steel base, and casted aluminium shade. Strong, fine polished and powder coated surface.

DESIGNED BY / YEAR OF DESIGN Mattias Ståhlbom / 2012

TYPE Table lamp

LAMP DESCRIPTION The Up lamp plays with the form & figure, and turns the traditional lampshade upside down. The lamp casts a different light & mood just by rotating the position of the lamp shade. The lamp's dim function makes it possible to control the light and mood in a room.

ENVIRONMENT Indoor

DIMENSIONS (CM)

Height	Base	Top
27 cm	Ø 16.9 cm	19.3 cm

MATERIAL Aluminium and iron

COLOUR / REF. CODE Grey, Misty Green, White

VOLTAGE (V) 220-240V ~ 50Hz, LED 5W, Class II, IP20

CANOPY No

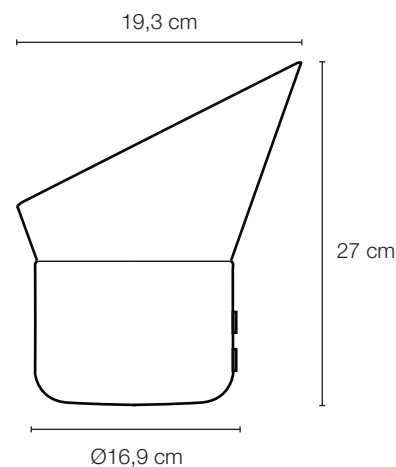
BULB INCLUDED Yes, bulb lifetime approx. 30.000 hours.

CORD LENGTH / DIAMETER (MM) 2400

WEIGHT (KG) 1

CLEANING INSTRUCTIONS Clean with soft dry/wet cloth. Always switch off the electricity supply before cleaning.

ABOUT THE DESIGNER Mattias Ståhlbom is an internationally successful architect and partner at the Stockholm-based architecture and design studio TAF. TAF's aim is to make ordinary life less ordinary through subtle but effective changes in how products and architecture appear and function. Mattias Ståhlbom's products have been exhibited at prestigious venues such as MOMA NY and the Swedish National Museum in Stockholm.



CERTIFICATIONS

